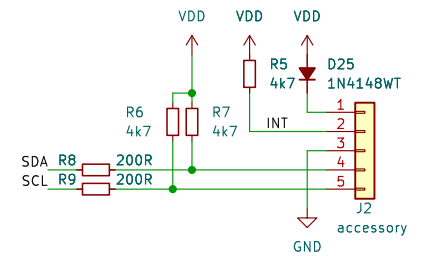
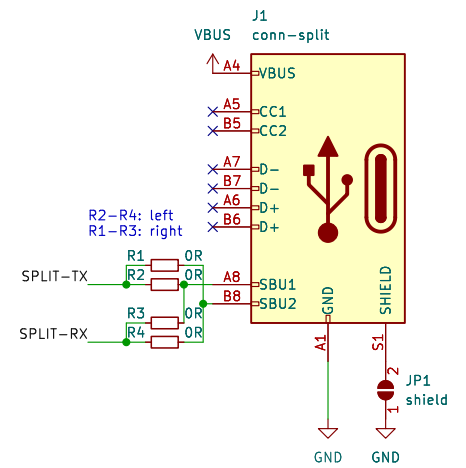
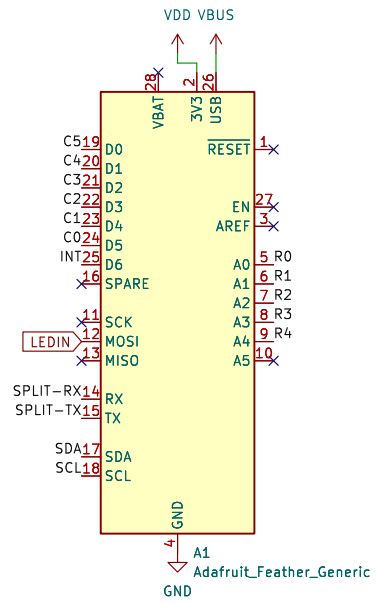


- H1 MountingHole
- H2 MountingHole
- H3 MountingHole
- H4 MountingHole



Sheet: /
File: split.kicad_sch

Title:

Size: A4
KiCad E.D.A. eeschema 7.0.1

Date:

Rev:
Id: 1/1